

# HD 32-A MK4

## ACTIVE TWO-WAY SPEAKER

### DESCRIPTION

The RCF HD 32-A MK4 two way active speaker is capable of 131 dB max SPL with clear and definite sound. At the core of HD 32-A design is the new ND840 compression driver. The 3.0"; voice coil designs allow a crossover point as low as 700 Hz and therefore almost all of the vocal range can be produced by the driver. This allows even better coverage, dispersion control and superior efficiency.

The new D-Line MK4 speakers boosts the performance with a series of brand new transducers, improves the sound quality with the revolutionary FIRPHASE processing and renew the grille design to exalt the professional look. The concept of the HD-Line derives from the touring industry, bringing in a elegant and compact cabinet all the experience of RCF professional sound with the maximum reliability and strength for the intensive use on the road. Connect your microphone, your device or your mixer to the speaker and turn up the volume: real plug&play. Perfect as a main front of house in small PA systems, high powered floor monitoring and unobtrusive fixed installation.



### FEATURES

- 1400 watt 2-way peak power
- 131 dB max SPL
- Class-D Bi-amplification, SMPS
- DSP sound processing
- 90° x 60°, wide dispersion constant directivity horn
- 12" woofer, high power, 2.5" voice coil
- 1.4" HF driver, titanium dome, neo 3.0" v.c.
- FIRPHASE processing

## TECHNICAL SPECIFICATIONS

<b>Acoustical specifications</b>	Frequency Response:	45 Hz ÷ 20000 Hz
	Max SPL @ 1m:	131 dB
	Horizontal coverage angle:	90°
	Vertical coverage angle:	60°
<b>Transducers</b>	Compression Driver:	1.4" neo, 3.0" v.c
	Woofer:	12", 2.5" v.c
<b>Input/Output section</b>	Input signal:	bal/unbal
	Input connectors:	XRL, Jack
	Output connectors:	XLR
	Input sensitivity:	-2 dBu/+4 dBu
	Mic. Input Sensitivity:	-32 dBu
<b>Processor section</b>	Crossover Frequencies:	700 Hz
	Protections:	Thermal, RMS
	Limiter:	Soft Limiter
	Controls:	Volume, Boost, Mic/Line
<b>Power section</b>	Total Power:	1400 W Peak, 700 W RMS
	High frequencies:	400 W Peak, 200 W RMS
	Low frequencies:	1000 W Peak, 500 W RMS
	Cooling:	Convection
	Connections:	Powercon IN/OUT
<b>Standard compliance</b>	CE marking:	Yes
<b>Physical specifications</b>	Cabinet/Case Material:	PP Composite
	Hardware:	1 x M10 top, 1 x M10 bottom, 3 x M6 bottom
	Handles:	1 Top, 2 Side
	Pole mount/Cap:	Yes
	Grille:	Steel
	Color:	Black
<b>Size</b>	Height:	647 mm / 25.47 inches
	Width:	380 mm / 14.96 inches
	Depth:	380 mm / 14.96 inches
	Weight:	18 kg / 39.68 lbs
<b>Shipping informations</b>	Package Height:	760 mm / 29.92 inches
	Package Width:	500 mm / 19.69 inches
	Package Depth:	500 mm / 19.69 inches
	Package Weight:	22 kg / 48.5 lbs



**PART NUMBER**

• **13000517**

HD 32-A MK4

115V

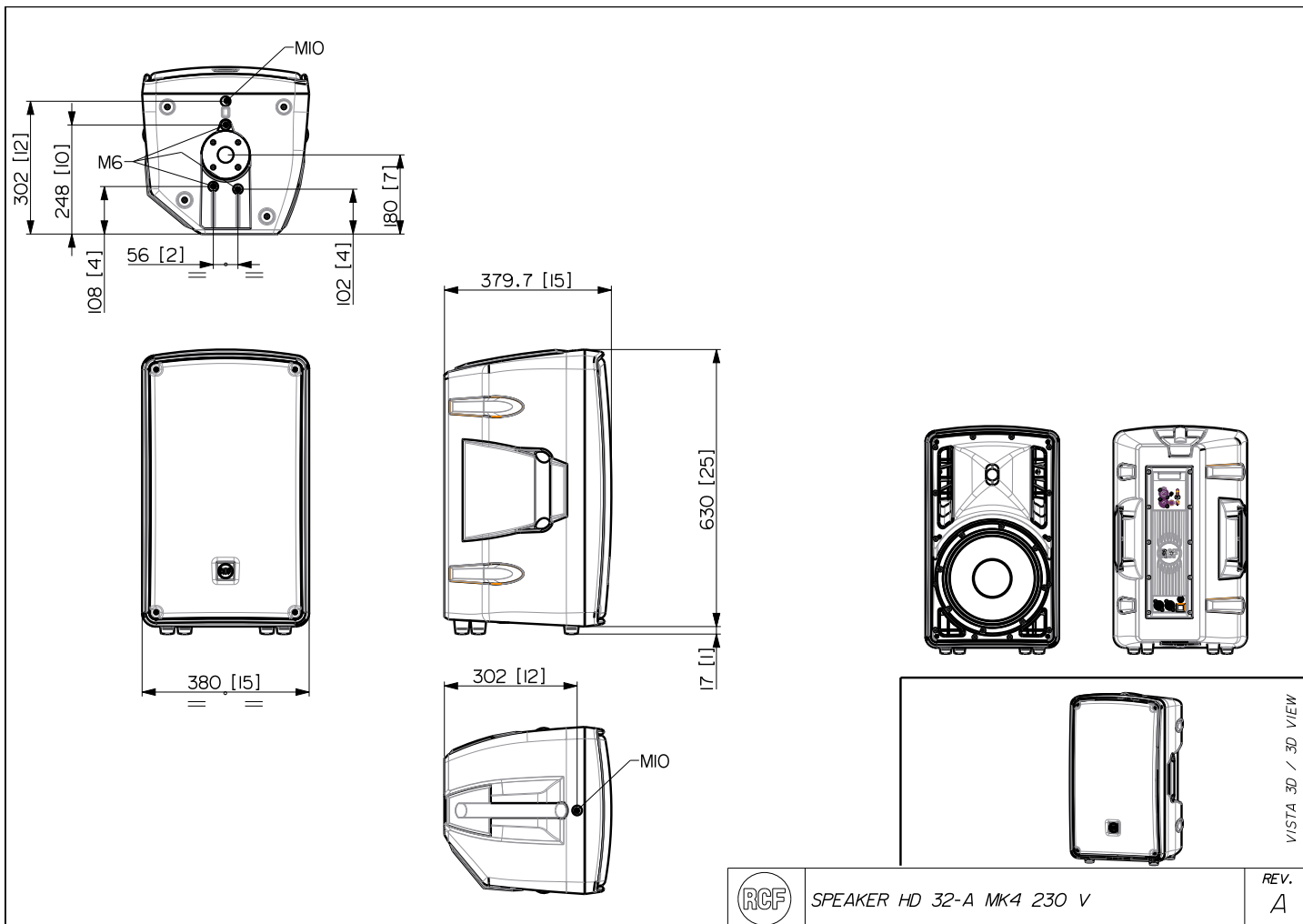
EAN 8024530014612

• **13000516**

HD 32-A MK4

220-240V

EAN 8024530014605



SPEAKER HD 32-A MK4 230 V

REV.  
A

