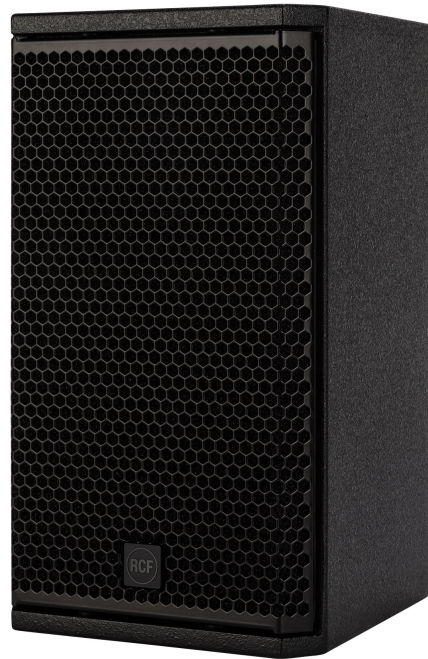


# COMPACT M 06

## TWO-WAY PASSIVE SPEAKER

### DESCRIPTION

COMPACT M 06 is a multipurpose two-way full-range speaker system, suitable for a wide range of applications. Its balanced sound is a big asset in near-field applications for the best intelligibility. The M 06 features high sensitivity, typical of professional audio cabinets thanks to the use of oversized magnets and a HI-FI sound quality, with smooth and wide frequency response, thanks to the wave-guided neodymium dome tweeter. The SPL level of low-distortion audio the M 06 can provide goes far beyond expectations of such a compact solution. The elegant and compact design with accurate finishing makes M 06 suitable for almost any environment, even with architectural constraints. Optional mounting accessories allow using M 06 on wall or ceiling installations.



### FEATURES

- 100 W AES power handling
- 116 dB max SPL
- 60 ÷ 20000 Hz frequency range
- 120° x 80° constant directivity coverage angle
- 1 x 6" high power woofer
- 1 x 1" voice coil neodymium dome tweeter
- High quality plywood cabinet
- Steel front grille with clothing
- Installation points available on rear, top and bottom panels
- 4 pole EUROBLOCK connector (audio input and parallel link output)

## TECHNICAL SPECIFICATIONS

|                                  |                             |                                |
|----------------------------------|-----------------------------|--------------------------------|
| <b>Acoustical specifications</b> | Frequency Response (-10dB): | 60 Hz ÷ 20000 Hz               |
|                                  | Max SPL @ 1m:               | 116 dB                         |
|                                  | Horizontal coverage angle:  | 120°                           |
|                                  | Vertical coverage angle:    | 80°                            |
|                                  | Directivity index Q:        | 7                              |
|                                  | System Sensitivity:         | 90 dB                          |
| <b>Power section</b>             | Nominal Impedance (ohm):    | 8 ohm                          |
|                                  | Power Handling:             | 100 W RMS                      |
|                                  | Peak Power Handling:        | 400 W PEAK                     |
|                                  | Recommended Amplifier:      | 200 W                          |
|                                  | Protections:                | Dynamic active mosfet          |
|                                  | Crossover Frequencies:      | 2200 Hz                        |
| <b>Transducers</b>               | Dome Tweeter:               | 1.3" neo, 1.0" v.c             |
|                                  | Nominal Impedance (ohm):    | 8 ohm                          |
|                                  | Input Power Rating:         | 15 W AES, 30 W PROGRAM POWER   |
|                                  | Sensitivity:                | 92 dB, 1W @ 1m                 |
|                                  | Woofer:                     | 6.0", 1.5" v.c                 |
|                                  | Nominal Impedance (ohm):    | 8 ohm                          |
|                                  | Input Power Rating:         | 100 W AES, 200 W PROGRAM POWER |
| Sensitivity:                     | 90 dB, 1W @ 1m              |                                |
| <b>Input/Output section</b>      | Input connectors:           | Euroblock                      |
|                                  | Output connectors:          | Euroblock                      |
| <b>Standard compliance</b>       | CE marking:                 | Yes                            |
| <b>Physical specifications</b>   | Cabinet/Case Material:      | Plywood                        |
|                                  | Hardware:                   | 4 x M6, 2 x M8                 |
|                                  | Grille:                     | Steel with clothing            |
|                                  | Color:                      | Black                          |
| <b>Size</b>                      | Height:                     | 365 mm / 14.37 inches          |
|                                  | Width:                      | 211 mm / 8.31 inches           |
|                                  | Depth:                      | 232 mm / 9.13 inches           |
|                                  | Weight:                     | 5.5 kg / 12.13 lbs             |
| <b>Shipping informations</b>     | Package Height:             | 386 mm / 15.2 inches           |
|                                  | Package Width:              | 256 mm / 10.08 inches          |
|                                  | Package Depth:              | 235 mm / 9.25 inches           |
|                                  | Package Weight:             | 7 kg / 15.43 lbs               |



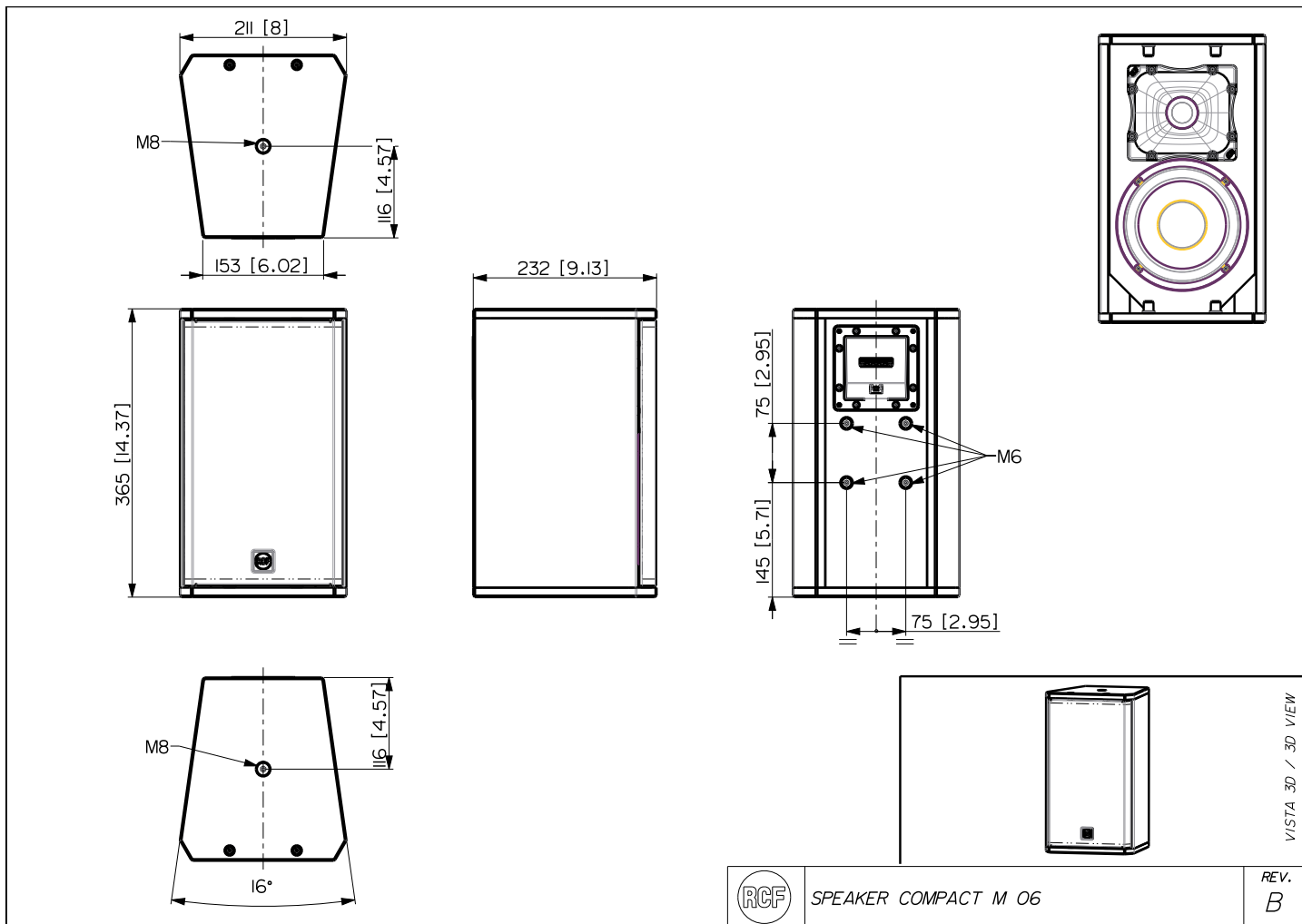
**PART NUMBER**

- **13000582**

COMPACT M 06

Black

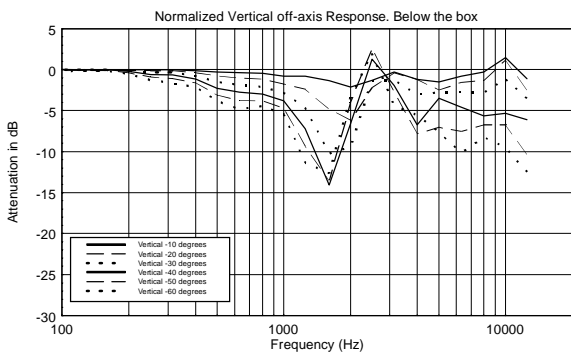
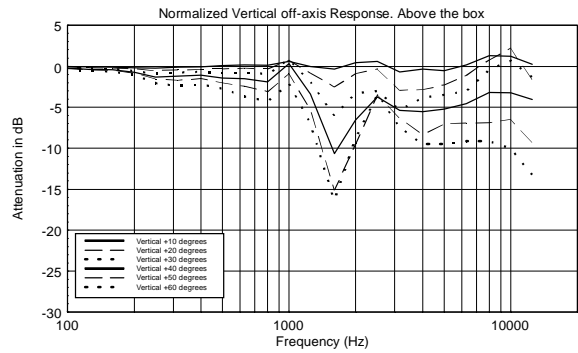
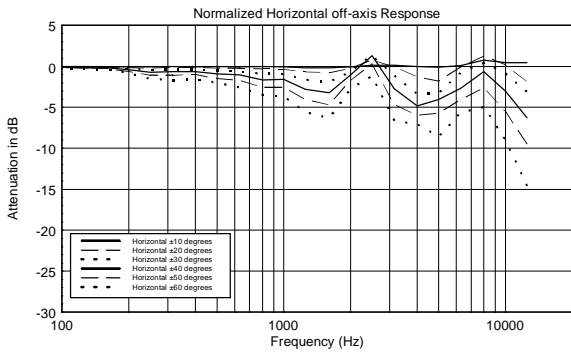
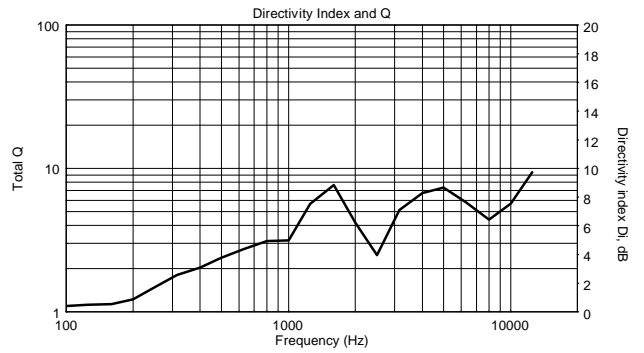
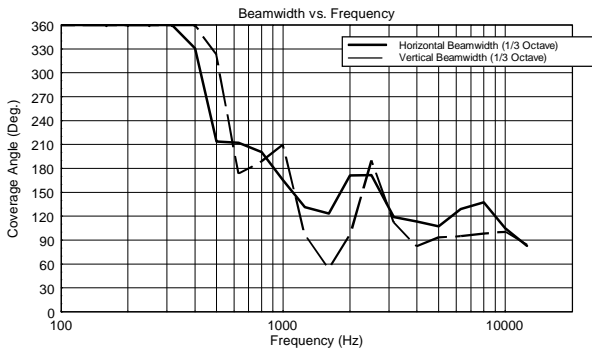
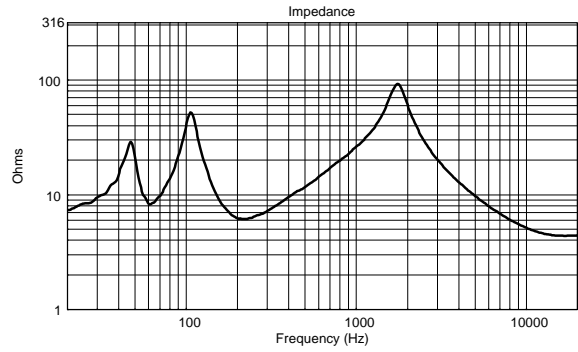
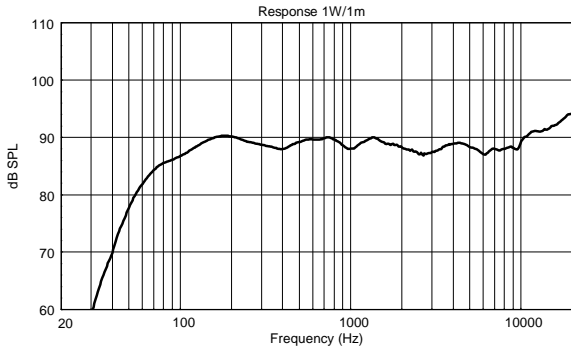
EAN 8024530017781

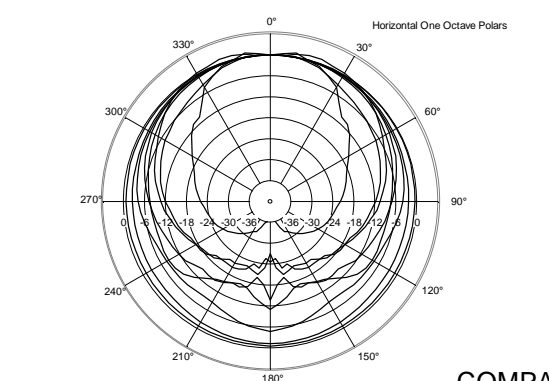
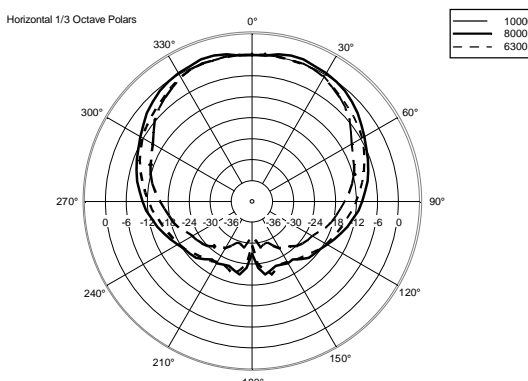
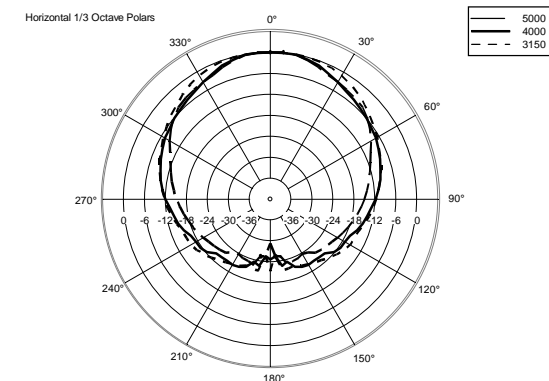
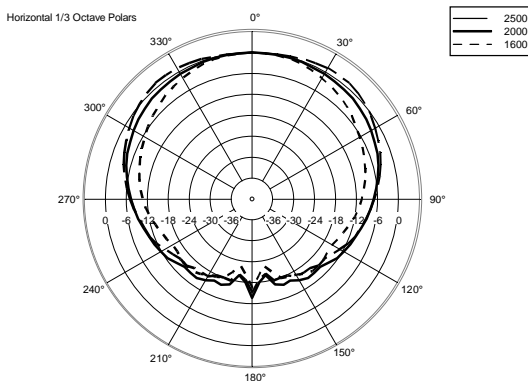
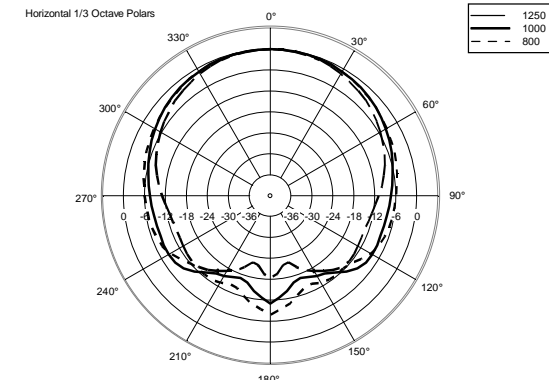
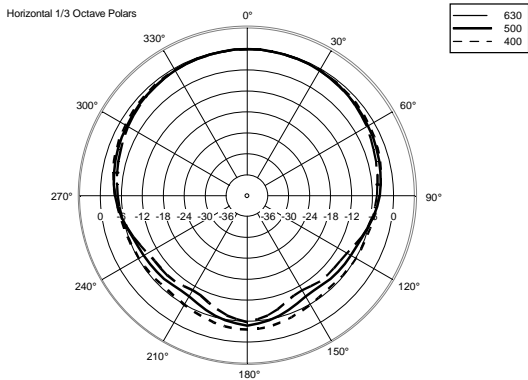
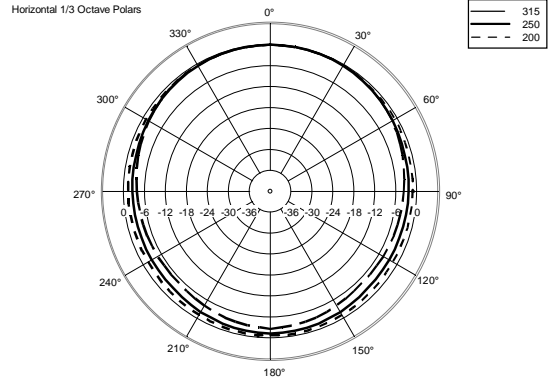
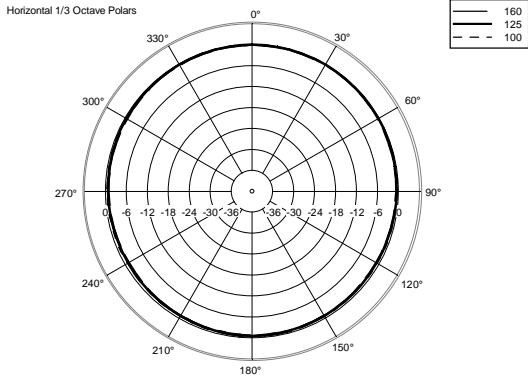


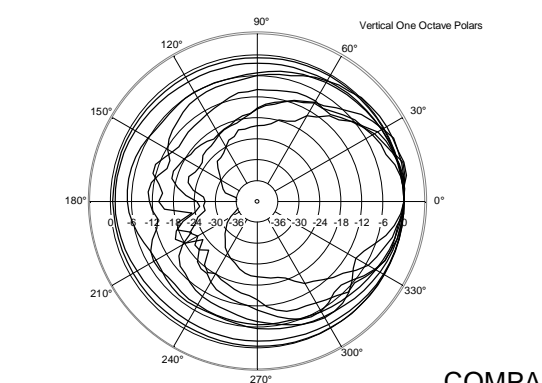
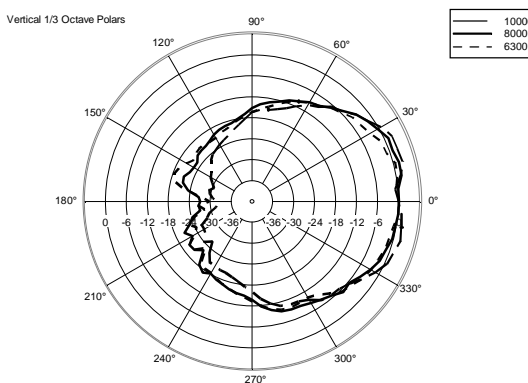
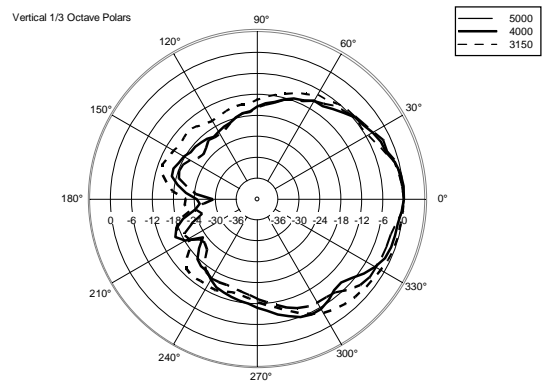
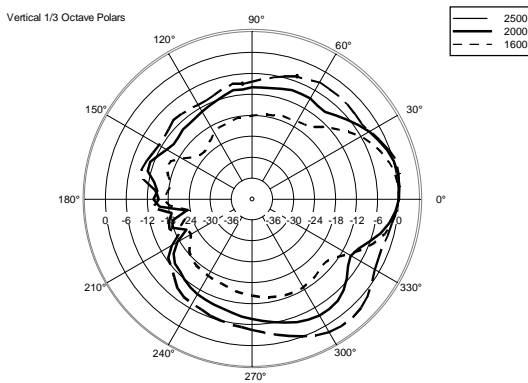
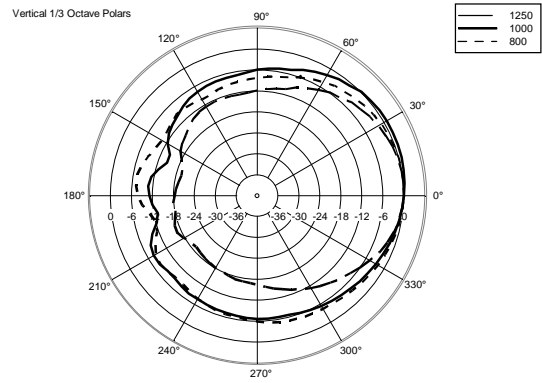
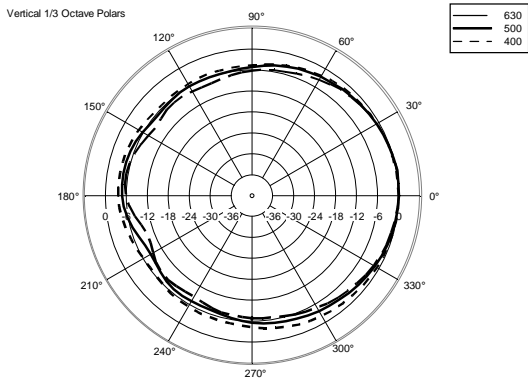
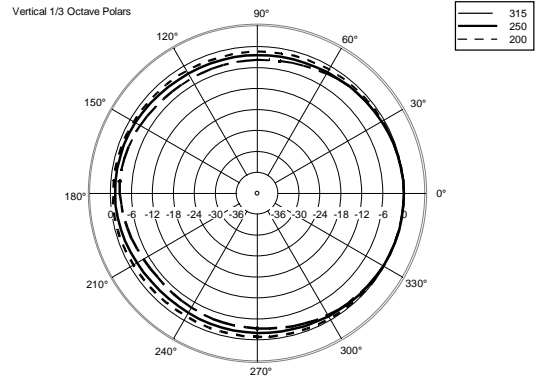
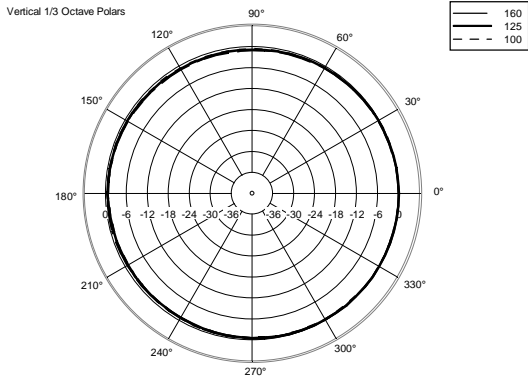
SPEAKER COMPACT M 06

REV.  
B

VISTA 3D / 3D VIEW







**ACCESSORIES**



PANEL PNL IN-OUT SPEAKON

PART NUMBER **12399062**  
EAN:

WALL MOUNT BRACKET SWM-BR COMPACT M

PART NUMBER **13360449**  
EAN: 8024530017842