



Networked Paging Station-1



Networked Paging Station-1 is a microphone console using a single cable to carry audio, control, and power, with an innovative user-interface, designed exclusively for use with AudiaFLEX systems. It provides a powerful and easy-to-use set of tools with a wide range of features and functions for the paging market. Networked Paging Station-1 is ideal for stadiums, convention centers, shopping malls, and other facilities where affordable and reliable delivery of clear audio is paramount. Networked Paging Station-1 integrates with AudiaFLEX networks via CobraNet®. Utilizing the Networked Paging Station-1 LCD display, scroll-wheel, and three buttons, users can quickly switch between pre-programmed groups and zones to address even the most complex page routing network.

FEATURES

- Designed for exclusive use with AudiaFLEX systems
- Power Over Ethernet (PoE) or external supply
- CobraNet audio/control plus power on a single cable
- Rotary encoder with LCD for programming/setup
- Multiple station / multiple AudiaFLEX systems
- 16 simultaneous pages allowed per AudiaFLEX unit
- 32 programmable microphone button operations
- 16 priorities, with override and lock-out functions
- Selectable announcement chime tone options
- **CE** marked and **RoHS** compliance

ARCHITECTS & ENGINEERS SPECIFICATION

The networked paging station shall be designed exclusively for use with AudiaFLEX systems. The networked paging station shall provide paging audio and control data via CobraNet®, and receive Power-Over-Ethernet (PoE), utilizing a single (CAT5) network cable to a rear panel RJ45 connector. Use of an external power supply shall be optional. A rotary encoder and LCD screen shall be provided on the front panel for programming and setup. Multiple networked paging stations may be connected to each AudiaFLEX unit, by means of Ethernet switches, in either single-unit or multi-unit systems. Up to 16 simultaneous pages shall be allowed per AudiaFLEX unit. Up to 16 paging priority levels shall be available, including override and lock-out capabilities. Each networked paging station shall have up to 32 programmable button operations assignable, and multiple announcement chime tone options shall be available.

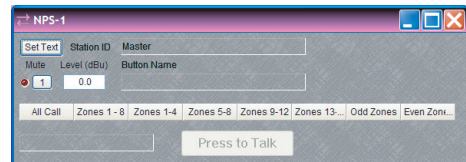
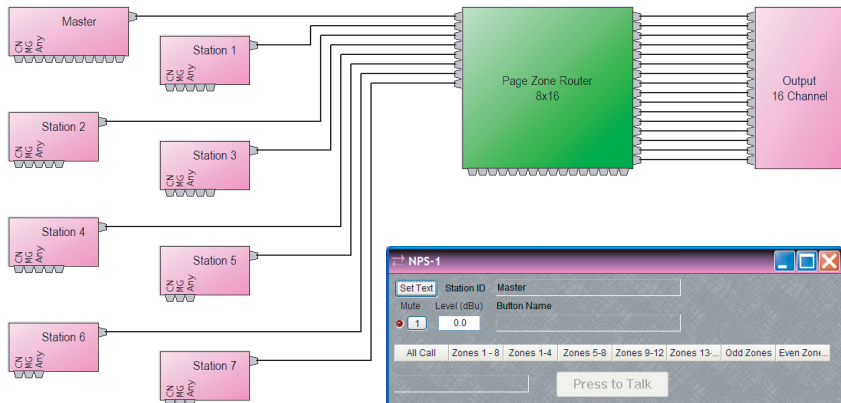
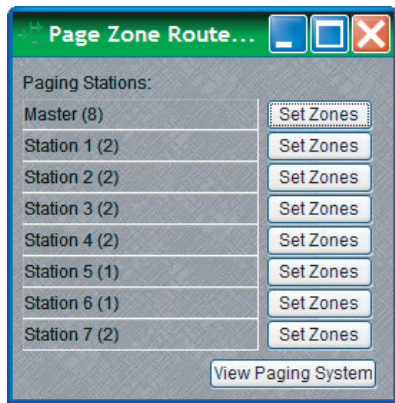
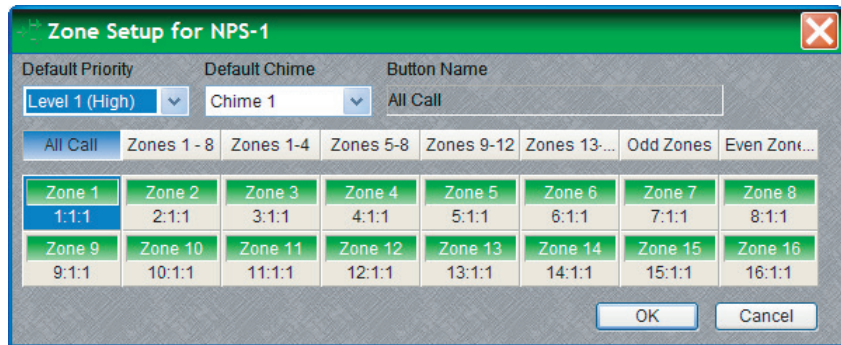
Networked paging stations shall be represented as functional blocks within Audia® software, which shall also include dedicated page zone routing blocks, for easy inclusion into system designs. The networked paging station shall be CE marked and shall be compliant with EU Directive 2002/95/EC, the RoHS directive.

The networked paging station shall be a Networked Paging Station-1.

Networked Paging Station-1 SPECIFICATIONS

Frequency Response:	±2dB @ 150Hz ~ 20kHz	Power:	802.3af (PoE) Class 1, 12-24VDC 3W
Gain:	6dB ~ 36dB, selectable in 10dB steps	Base Dimensions (HxWxD):	3.25"x4.5"x7" (83x114x178mm)
Maximum Input:	115dB SPL	Mic Gooseneck Length:	14.5" (368mm)
Mic Type:	electret condenser	Weight:	0.9 lbs. (0.41kg)
Mic Pattern:	cardioid	Compliance:	EU Directive 2002/95/EC, RoHS directive CE marked
A/D Converters:	24-bit, 48kHz		

Networked Paging Station-1 REAR PANEL & EXAMPLE SOFTWARE SCREENS



Networked Paging Station-1 BLOCK DIAGRAM

