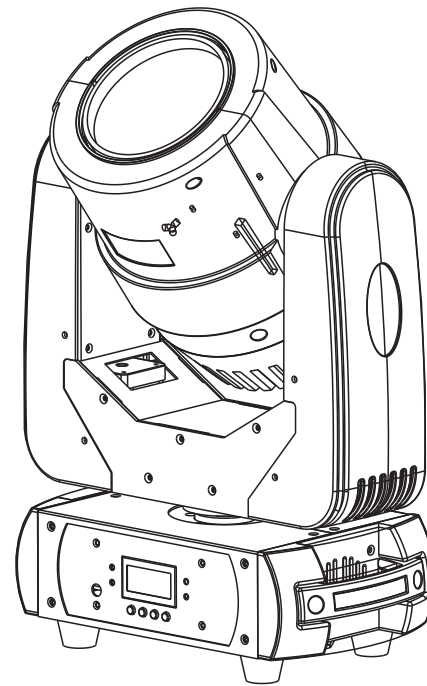


JUNIOR



JNR REBEL
JNR-8166

PR LIGHTING LTD.
<http://www.pr-lighting.com>
1582 Xingye Avenue, Nancun Panyu
Guangzhou, 511442 China
TEL: +86-20-3995 2888

1 SAFETY INSTRUCTIONS



CAUTION

Becareful with your operations. With a dangerous voltage you cansuffer a dangerous electric shock when touching wires!

This device has left the factory in perfect condition. In order to maintain this condition and to ensure a safe operation, it is absolutely necessary for the user to follow the safety instructions and warning notes written in this user manual.



IMPORTANT

Damages caused by the disregard of this user manual are not subject to warranty. The dealer will not accept liability for any resulting defects or problems.

If the device has been exposed to temperature changes due to environmental changes, do not switch it on immediately. The arising condensation could damage the device. Leave the device switched off until it has reached room temperature.

This device falls under protection-class I. Therefore it is essential that the device be earthed.

The electric connection must carry out by qualified person.

The device shall only be used with rate voltage and frequency.

Make sure that the available voltage is not higher than stated at the end of this manual.

Make sure the power cord is never crimped or damaged by sharp edges. If this would be the case, replacement of the cable must be done by an authorized dealer.

Always disconnect from the mains, when the device is not in use or before cleaning it. Only handle the power cord by the plug. Never pull out the plug by tugging the power cord.

During initial start-up some smoke or smell may arise. This is a normal process and does not necessarily mean that the device is defective, it should decrease gradually.

Please don't project the beam onto combustible substances.

Fixtures cannot be installed on combustible substances, keep more than 50cm distance with wall for smooth air flow, so there should be no shelter for fans and ventilation for heat radiation.

If the external flexible cable or cord of this luminaire is damaged, it shall be exclusively replaced by the manufacturer or his service agent or a similar qualified person in order to avoid a hazard.

17	15	Speed PAN/TILT	226-235	No function
			236-245	No function
			246-255	No function
18	16	Special function	0-19	No function
			20-29	No function
			30-39	No function
			40-79	No function
			80-99	Motor reset
			100-119	Internal program 1
			120-139	Internal program 2
			140-159	Internal program 3
			160-179	Internal program 4
			180-199	Internal program 5
			200-219	Internal program 6
220-239	Internal program 7			
			240-255	Internal program 8

9 DMX CHANNELS

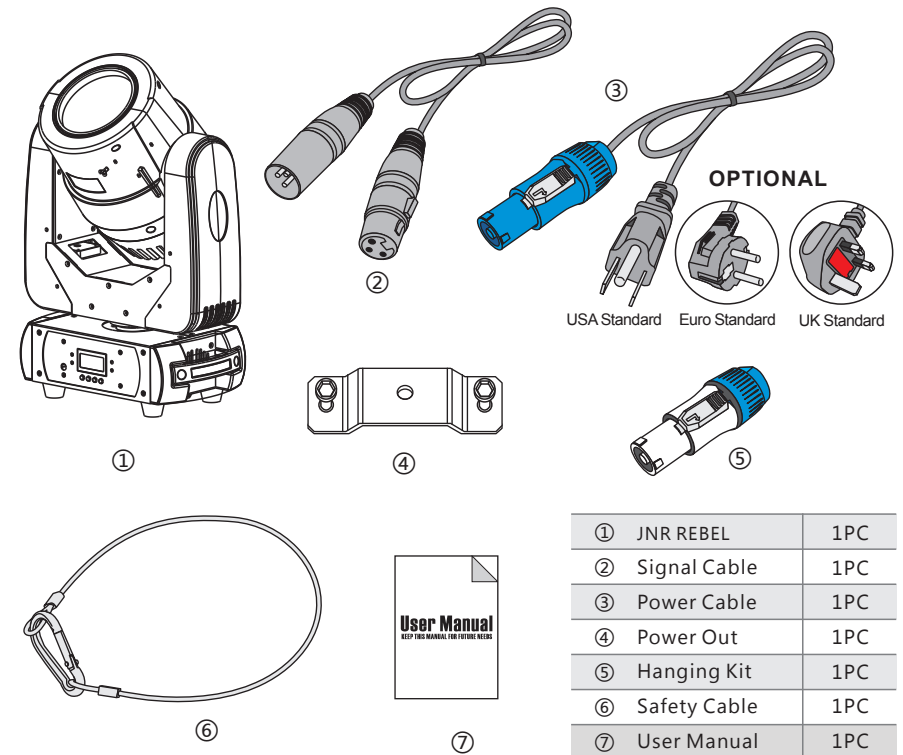
Mode/CH		Function	Values	Description
M1	M2			
1	1	PAN	0-255	PAN movement
2		PAN fine	0-255	Fine control of PAN movement
3	2	TILT	0-255	TILT movement
4		TILT fine	0-255	Fine control of TILT movement
5	3	PAN control	0-7	No function
			8-127	Continuous rotation fast->slow,Forwards
			128-135	Stop rotation
			136-255	Continuous rotation slow->fast,Backwards
6	4	TILT control	0-7	No function
			8-127	Continuous rotation fast->slow,Forwards
			128-135	Stop rotation
			136-255	Continuous rotation slow->fast,Backwards
7	5	Red	0-255	Color saturation control-coarse 0-100%
8	6	Green	0-255	Color saturation control-coarse 0-100%
9	7	Blue	0-255	Color saturation control-coarse 0-100%
10	8	White	0-255	Color saturation control-coarse 0-100%
11	9	Shutter	0-31	Shutter closed
			32-63	Shutter open
			64-95	Strobe effect slow to fast
			96-127	Shutter open
			128-143	Pulse-effect in sequences slow to fast
			144-159	Pulse OUT from fast to slow
			160-191	Shutter open
			192-223	Random strobe effect slow to fast
			224-255	Shutter open
			12	10
13	11	Rotating prism	0-5	OFF
			6-127	ON
			128-189	Forwards rotation from fast to slow
			190-193	Prism rotation stop
14	12	Frost	0-199	Frost swing out
			200-255	Frost swing in
15	13	Rotating prism2	0-127	Prism indexing
			128-189	Forwards prism rotation from fast to slow
			190-193	Prism rotation stop
			194-255	Backwards prism rotation from slow to fast
16	14	Zoom	0-255	Zoom from max.to min.beam angle
			0-225	Max to min speed

2 UNPACKING

Thank you for choosing our JNR REBEL. For your own safety, please read this manual before installing the device. This manual covers the important information on installation and applications. Please install and operate the fixture with following instructions. Meanwhile, please keep this manual well for future needs.

The JNR REBEL is made of a new type of high temperature strength of engineering plastics and cast aluminum casing with nice outlook. The fixture is designed and manufactured strictly following CE standards, complying with international standard DMX512 protocol. It's available independently controlled and linkable with each other for operation. And it is applicable for large-scale live performances, theater, studio, nightclubs and discos.

The JNR REBEL adopts 1PCS 60W OSRAM LE RTDUW S2WP 4-IN-1 LEDs which features high brightness and stability. Please carefully unpack it when you receive the fixture and check whether it is damaged during the transportation. And please check whether the following items are included inside the box:



①	JNR REBEL	1PC
②	Signal Cable	1PC
③	Power Cable	1PC
④	Power Out	1PC
⑤	Hanging Kit	1PC
⑥	Safety Cable	1PC
⑦	User Manual	1PC

3 FEATURES & SPECIFICATIONS

Features

- 1*60W OSRAM LE RTDUW S2WP 4-in-1 LED (RGBW)
- 50,000 hours lifespan and low power consumption
- Each color controllable individually
- Outstanding intense BEAM effect with remarkable color mixing coverage
- Specific high resolution 110mm front glass lens
- Flicker free sources management
- 8/16 Bit smooth, fast and precise infinite (continuous) PAN/TILT movement
- Scan position memory, auto reposition after unexpected movement
- Smooth, quite and fast motorized zoom from 2.5°-35°(flower mode)/4°-35°(wash mode)
- 8-Facet prism rotating in both directions with variable speed
- Flower effect creating spectacular stunning effects in the air (clear image at 30°)
- Each spot (square four color) in the FLOWER rotatable creating even nicer effect
- High speed strobe effect with 1-25 flashes per second
- Random strobe effect and pulse strobe effect available
- 0-100% smooth linear LED dimmer
- 8 Internal programs available
- 16/18 DMX Channels USITT DMX-512
- DMX512, master-slave and sound activated controllable or auto operation
- High definition blue LCD display with 4 control buttons
- Efficient low noise self adjusting fan cooling system
- Constant temperature readout and management function
- POWERCON IN/OUT
- 3-Pin XLR connectors IN/OUT
- DB rating @ 1M=54.18dB
- IP20 protection rating

Specifications

Input Voltage: AC90-260V 50/60Hz

LED Quantities: 1*60W 4-in-1 LED(RGBW)

Control Signal: DMX512, master-slave and sound activated or auto operation

Control Channel: 16/18 DMX Channels USITT DMX-512

Power Consumption: 145W

Dimensions: 176(D)*262(W)*386(H)mm

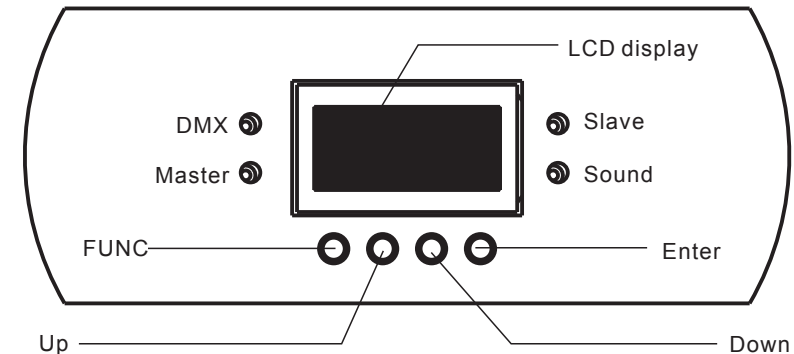
Packing Dimensions: 465(D)*350(W)*390(H)mm

Net Weight: 8.64kg

Gross Weight: 10.5kg

8 MENU OPERATIONS

MENU	Mode	Dmx Address	A001-AXXX		DMX address setting
		Slave			Machine setting
		Auto Run	Internal Program 1~8	Master/Alone	Alone mode
		Music Control	Internal Program 1~8	Master/Alone	Sound mode
	Reset	On/Off			All reset
	PAN Rev	On/Off			PAN reverse movement
	TILT Rev	On/Off			TILT reverse movement
	Special	Default	On/Off		Overloading factory all parameters
		Calib	Code(password:088)		Calibration function
			PAN,TILT		Calibration channel
		Manual	PAN=XXX		Manual control
	DIMM SP	Slow/Fast		Dimmer speed setting	
	DMX Pres	M1-XXCH			Channel mode 1
		M1-XXCH			Channel mode 2
		M1-XXCH			Channel mode 3
	Version	V1.0~V9.9			Software version

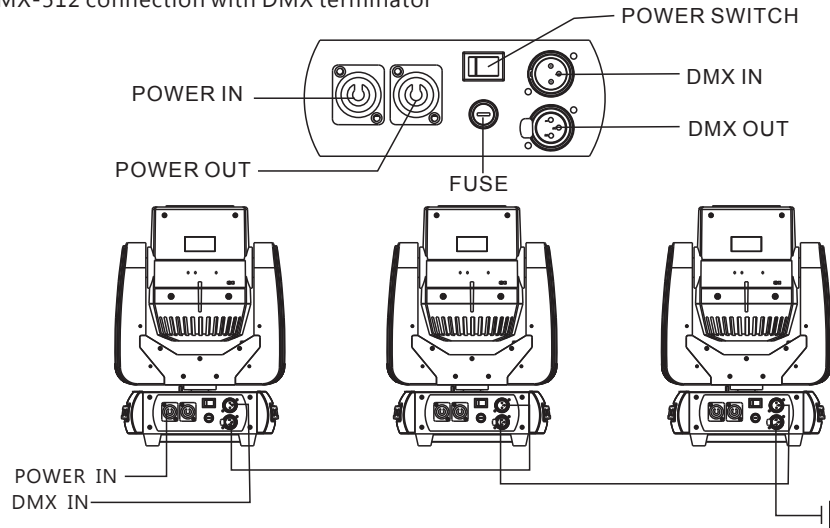


7 DMX-512 CONTROL CONNECTIONS

Connect the provided XLR cable to the female 3-pin XLR output of your controller and the other side to the male 3-pin XLR input of the moving head. You can chain multiple

Moving head together through serial linking. The cable needed should be two core, screened cable with XLR input and output connectors. Please refer to the diagram below.

DMX-512 connection with DMX terminator



If you connect fixtures to AC power in a linked chain, please do not link more than:

1. Three(3) fixtures at 100-120VAC, 50/60Hz.
2. Four(4) fixtures at 200-240 V, 50/60Hz.

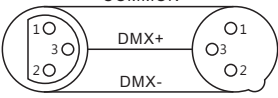


DMX Output
3-Pin XLR Socket



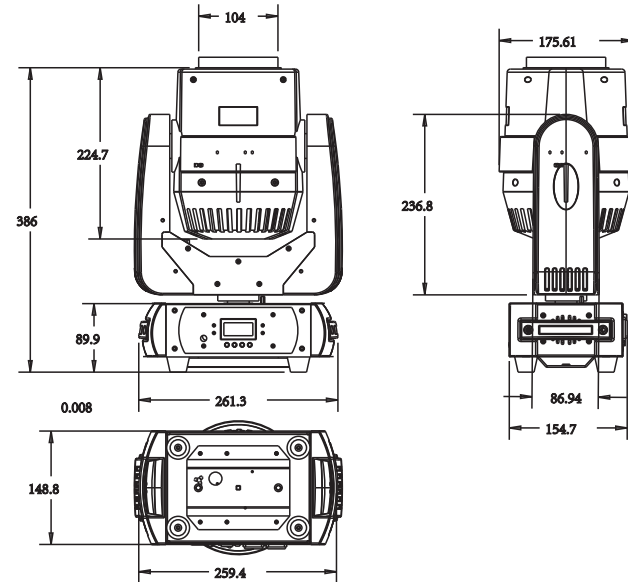
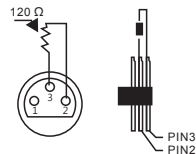
DMX Input
3-Pin XLR Socket

- 1:Ground
- 2:Data(-)
- 3:Data(+)



DMX512 OUT 3-PIN XLR
DMX512 IN 3-PIN XLR

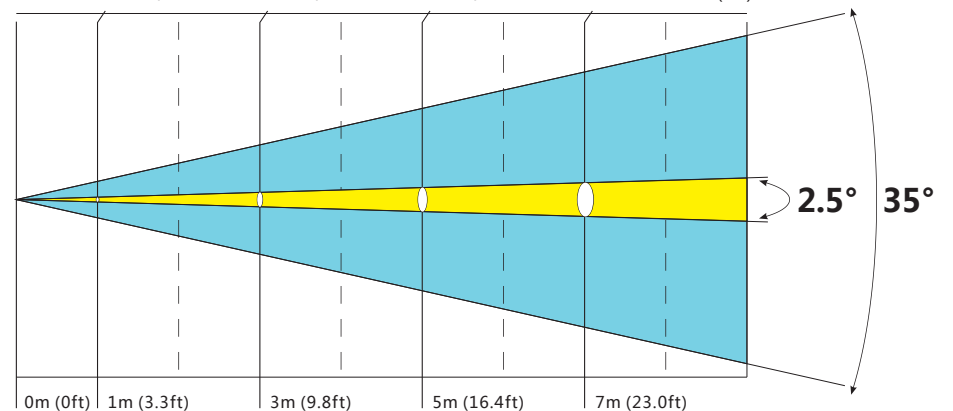
For installations where the DMX cable has to run a long distance or is in an electrically noisy environment, such as in a discotheque, it is recommended to use a DMX terminator. This helps in preventing corruption of the digital control signal by electrical noise. The DMX terminator is simply an XLR plug with a



4 PHOTOMETRIC DATA

Photometric Beam Angle Data 2.5°~35° Beam Angle LUX × 0.0929=FC

R	3105 / 33429	457 / 4925	163 / 1753	83 / 900
	491 / 5296	126 / 1353	42 / 456	23 / 253
G	2090 / 22500	328 / 3528	118 / 1272	57 / 619
	347 / 3740	112 / 1210	35 / 380	18 / 192
B	4286 / 46140	663 / 7143	238 / 2565	118 / 1276
	664 / 7150	178 / 1925	66 / 715	28 / 302
W	3836 / 41300	617 / 6641	230 / 2479	110 / 1194
	910 / 9790	190 / 2035	62 / 671	32 / 341
RGBW	2043 / 22000	1374 / 14795	537 / 5786	253 / 2728 (2.5°)
	848 / 9130	175 / 1892	63 / 682	32 / 341 (35°) (FC/LUX)



5 OPERATION INSTRUCTIONS

- The JNR REBEL is for wash effect for on-site decoration purpose.
- Don't turn on the fixture if it's been through severe temperature difference like after transportation because it might damage the light due to the environment changes. So make sure to operate the fixture until it is in normal temperature.
- This light should be keep away from strong shaking during any transportation or movement.
- Don't pull up the light by only the head, or it might cause damages to the mechanical parts.
- Don't expose the fixture in overheat, moisture or environment with too much dust when installing it. And don't lay any power cables on the floor. Or it might cause electronic shock to the people.
- Make sure the installation place is in good safety condition before installing the fixture.
- Make sure to put the safety chain and check whether the screws are screwed properly when installing the fixture.
- Make sure the lens are in good condition. It's recommended to replace the units if there are any damages or severe scratch.
- Make sure the fixture is operated by qualified personnel who knows the fixture before using.
- Keep the original packages if any second shipment is needed.
- Don't try to change the fixtures without any instruction by the manufacturer or the appointed repairing agencies.
- It is not in warranty range if there are any malfunctions from not following the user manual to operate or any illegal operation, like shock short circuit, electronic shock, lamp broke, etc.

6 INSTALLATIONS

Cautions: For added protection mount the fixtures in areas outside walking paths, seating areas, or in areas were the fixture might be reached by unauthorized personnel.

Before mounting the fixture to any surface, make sure that the installation area can hold a minimum point load of 10 times the device's weight.

Fixture installation must always be secured with a secondary safety attachment, such as an appropriate safety cable.

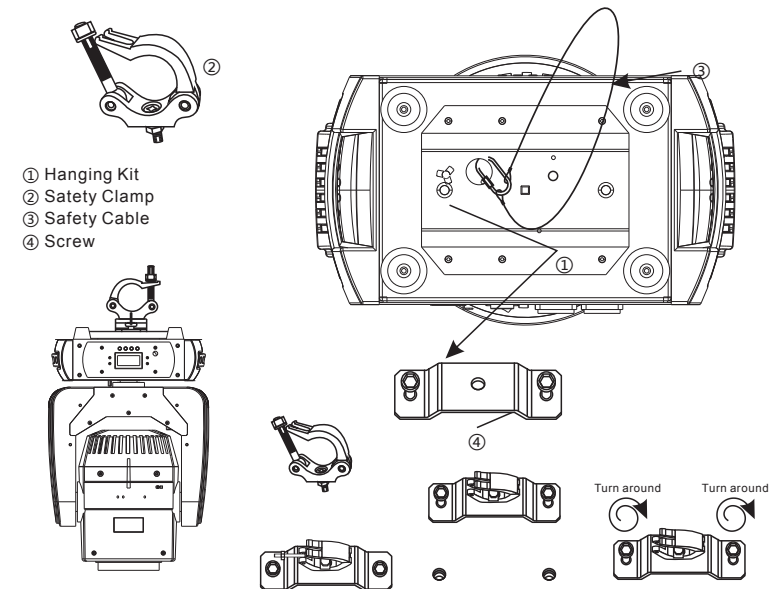
Never stand directly below the device when mounting, removing, or servicing the fixture.

Always use and install the supplied safety cable as a safety measure to prevent accidental damage and/or injury in the event the clamp fails.

Mounting points: Overhead mounting requires extensive experience, including amongst others calculating working load limits, a fine knowledge of the installation material being used, and periodic safety inspection of all installation material and the fixture. If you lack these qualifications, do not attempt the installation yourself. Improper installation can result in bodily injury.

Be sure to complete all rigging and installation procedures before connecting the main power cord to the appropriate wall outlet.

Clamp mounting: The JNR REBEL provides a unique mounting bracket assembly that integrates the bottom of the base, and the safety cable rigging point in one unit (see the illustration below). When mounting this fixture to truss be sure to secure an appropriately rated clamp to the included omega bracket using a M10 screw fitted through the center hole of the "omega bracket". As an added safety measure be sure to attached at least one properly rated safety cable to the fixture using on of the safety cable rigging point integrated in the base assembly.



Regardless of the rigging option you choose for your JNR REBEL, always be sure to secure your fixture with a safety cable. The fixture provides a built-in rigging point for a safety cable on the hanging bracket as illustrated above. Be sure to only use the designated rigging point for the safety cable and never secure a safety cable to a carrying handle.