

TG I56

Condenser Microphone



FEATURES

- Frequency response optimised for accordions
- Cardioid polar pattern
- High gain before feedback
- Gooseneck for optimum positioning
- Shock-mounted microphone capsule
- Supplied with mounting parts

APPLICATIONS

The TG I56 condenser microphone, whose frequency response is specially designed for live performances with accordions, bandoneons and zithers, is more than just practical. The special clamp enables simple mounting and easy transport: the microphone is simply removed and the clamp remains on the instrument. The cardioid polar pattern of the TG I56 also ensures high feedback rejection and the microphone capsule is isolated from vibration on the gooseneck preventing unwanted mechanical noise.

The TG I56 microphone is available in two versions:

as Opus version it can be connected to the Opus series backpack transmitters; as TG version it can be used with the wireless microphone systems of the TG series.

For wired applications with phantom power sources the TG I56 must be used with an optional power adapter.

VERSION

TG I56 (Opus)	Instrument microphone, electret condenser, cardioid, with female 4-pin Mini-XLR connector and quick-change attachment Order # 707.171
TG I56 (TG)	same as above, but TG version . Order # 708.348

TECHNICAL SPECIFICATIONS

Transducer type	Condenser (back electret)
Operating principle	Pressure gradient
Polar pattern	Cardioid
Frequency response:	
Close miking	30 - 20,000 Hz
Distant miking (measured at 1 m)	100 - 20,000 Hz
Open circuit voltage	12.4 mV/Pa
	(-38.1 dBV)* ±2.5 dB
Max. SPL	136 dB*
S/N ratio	60 dB [CCIR; Q-Peak]*
Equivalent SPL	25 dB [A; RMS]*
Power supply	1.5 - 9 V DC
Connection	Mini-XLR, 4-pin, female
Weight (without cable)	approx. 40 g

*measured with CV 18

SUPPLIED ACCESSORIES

- 1 x mount plate
- 3 x double-sided adhesive pad

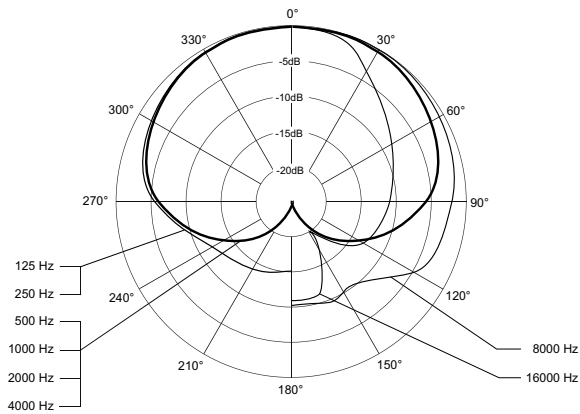
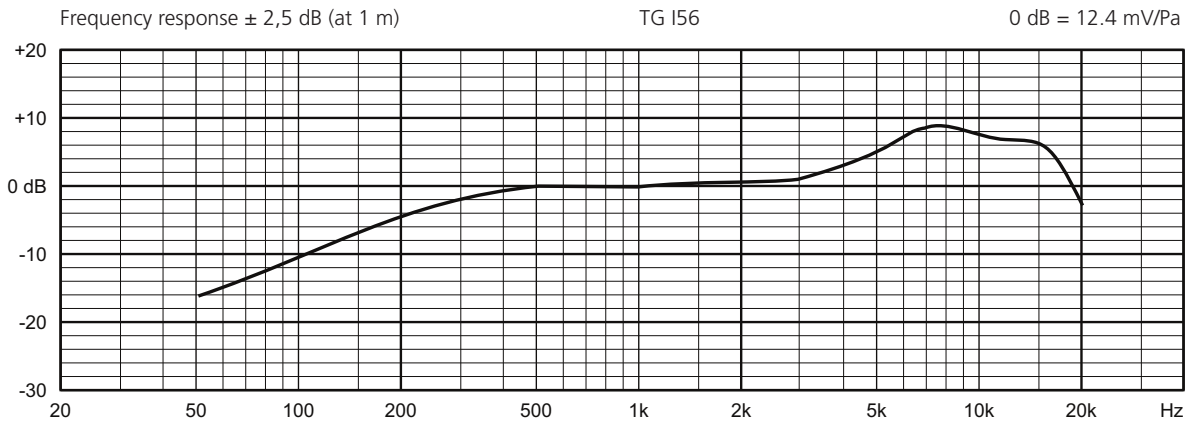
OPTIONAL ACCESSORIES

CV 18	Phantom power adapter to connect to phantom-powered microphone inputs for Opus version Order # 475.378
MA-PVA	Phantom power adapter to connect to phantom-powered microphone inputs for TG version Order # 711.098
WS 97	Wind shield, black Order # 465.313

TG I56

FREQUENCY RESPONSE & POLAR PATTERN

This polar pattern and frequency response curve (measuring distance ± 2.5 dB) correspond to a typical production sample for this microphone.



WIRING DIAGRAMS

