

## ACTION-512A



### DESCRIPTION

ACTION-512A is an active system designed to deliver a highly versatile solution, from fixed installations to the popular portable PA application. Its rotatable horn with 90° x 60° dispersion means the enclosure can be used horizontally in a fixed installation, as a stage monitor or even as front fill.

As part of our company culture, all our systems are developed under a single philosophy: to deliver the highest possible quality in terms of both materials and overall system design. In the ACTION-500 series we use the same birch plywood as our touring systems for a tight, natural warm sound found nowhere else on the market. The series' full range of active tops is complete with two balanced XLR inputs for mic and line, an additional 3.5 mm mini jack input, and a powerCON connection.

The system has a 12M14 speaker for low frequencies and an M-34 compression driver for high frequencies which, together with the 1000 Wpeak Class D amplifier, deliver outstanding performance. The DAScontrol™ interface uses a high-range 24-bit DSP and rear LCD screen to enable the selection of presets, EQ modes, delay, gain control and signal source mix.

### KEY FEATURES

- Active biamp system
- Dual-channel 1000 Wpeak Class D amplifier
- Birch plywood enclosure
- Durable ISO-flex paint
- DAScontrol™ interface for easy setup and adjustment
- DSP with presets and LCD screen

### APPLICATIONS

- Live sound reinforcement
- Bands, DJ's and performers
- Speech and vocals
- Music playback in entertainment
- A/V, conferences and presentations

### SPECIFICATIONS

#### Performance

Frequency Range (-10 dB)	50 Hz - 20 kHz
Horizontal Coverage (-6 dB)	90°
Vertical Coverage	60°
Maximum Peak SPL at 1 m	131 dB

#### Electronics and Connectors

Nominal Amplifier Power (continuous)	500 W
Nominal Amplifier Power (peak)	1000 W
Input Type	Balanced
Input Impedance	20 kohms
Input Sensitivity	1.95 V (+8 dBu)
Audio Signal Input Connector	2 x Female XLR
AUX Input	1 x 3.5 mm Mini Jack
Audio Signal Loop Thru Connector	1 x Male XLR
Control	DAScontrol™
AC Input Connector	powerCON NAC3MPA
Operating Range	90-127/180-250 VAC
Current Draw 115 V	2.2 A
Current Draw 230 V	1.1 A

#### Enclosure

Enclosure Construction	Birch Plywood
Enclosure Geometry	Trapezoidal

# ACTION-512A

Rigging	M10 Rigging Points
Finish	ISO-flex Paint
Color	Black
Dimensions ( H x W x D )	620 x 380 x 380 mm 24,4 x 15,0 x 15,0 in
Net Weight	20,0 kg ( 44,1 lb )

## Components

LF Driver	12MI4
HF Driver	M-34
Horn/Waveguide	BC-916

## Shipping

Carton Dimensions ( H x W x D )	690 x 435 x 435 mm 27,2 x 17,1 x 17,1 in
Shipping Weight	22,5 kg ( 49,6 lb )

## ORDERING INFORMATION

### Performance

Model	Description	P/N
-------	-------------	-----

### System

ACTION-512A	2-way Powered Point Source	10427247
-------------	----------------------------	----------

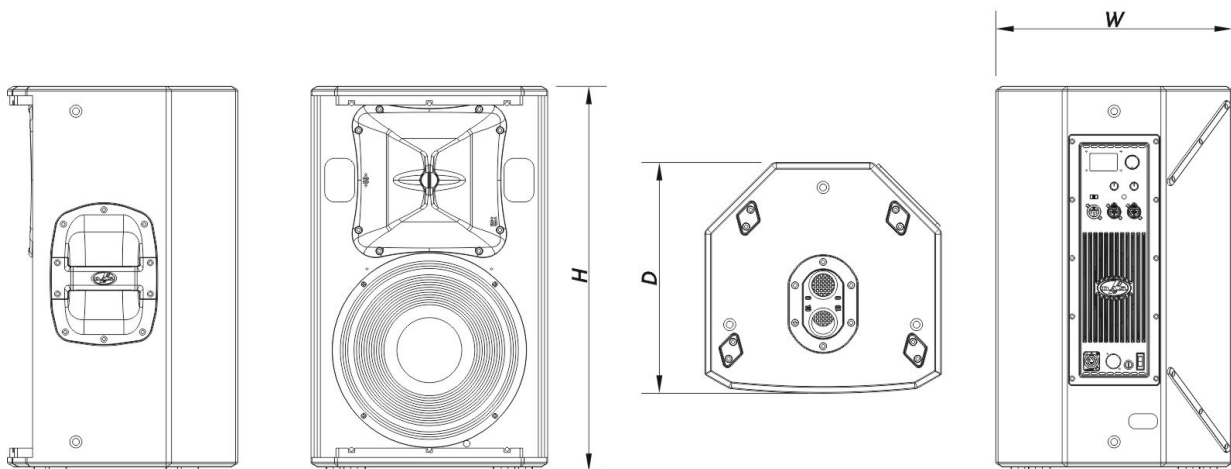
### Replacement Parts

12MI4	Cone Transducer	10214320
BC-916	Horn	30006590
DSP-ACTION-512A	Dsp	20406593
GM-12MI4	Recone Kit	20208300
GM-M34	Diaphragm	20205060
M-34	Compression Driver	10207080
MP-ACT512A	Power Module	20406583

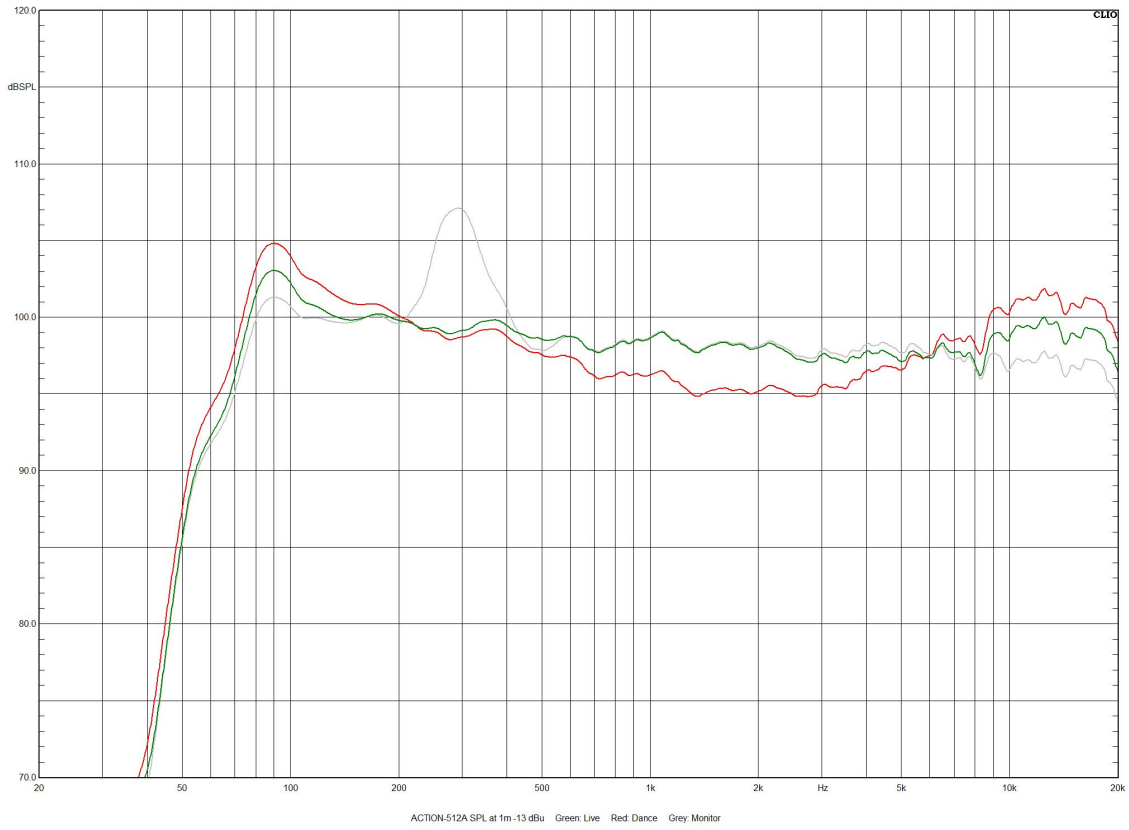
### Accessories

ANL-2	Rigging Accessories	10101020
AX-SPG1	Installation & Stacking Acc.	10105050
AXC-AT	Installation & Stacking Acc.	10104310
AXU-ACT512	Installation & Stacking Acc.	10104605
FUN-VT12	Transport Accessories	10103710
TRD-6	Installation & Stacking Acc.	10104470
TRD-7	Installation & Stacking Acc.	10104471
TRPD-S2-PAK	Installation & Stacking Acc.	10104011

## DIMENSIONS

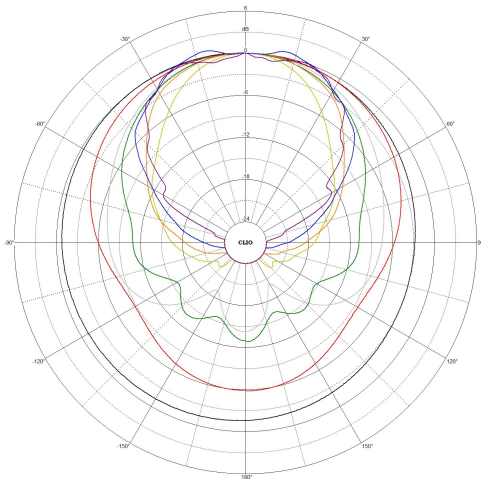


## PERFORMANCE DATA



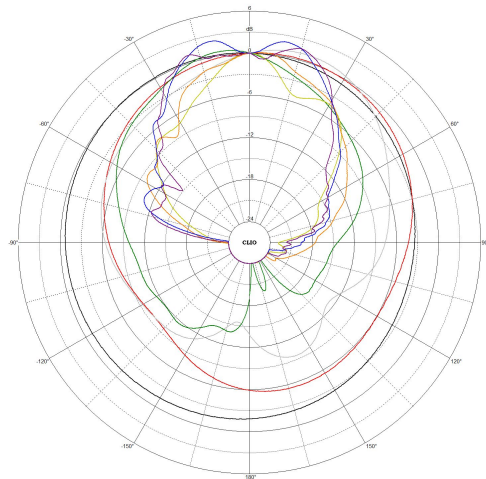
Frequency response

120Hz  
100Hz  
80Hz  
60Hz  
40Hz  
20Hz



Horizontal polar data

120Hz  
100Hz  
80Hz  
60Hz  
40Hz  
20Hz



Vertical polar data

