

Synexis C20

Charger



Supplied without devices

FEATURES

- Charger integrated in a practical case with casters and telescopic handle
- Twenty charging compartments for beltpack receivers/transmitters
- One charging compartment for handheld transmitter
- Mains powered
- On/off switch with LED to indicate operation
- Zipper compartment with Velcro® strips for storing headphones

COMPONENTS

Synexis C20 Twenty charging compartments for beltpack receivers/transmitters, one charging compartment for handheld transmitter. Order # 722.294

SUPPLIED ACCESSORY

- Power cable

1 of 2

APPLICATIONS

The Synexis C20 charger is provided with 20 charging compartments for Synexis TP beltpack transmitters or RP beltpack receivers as well as one charging compartment for the Synexis TH handheld transmitter, when they are powered with rechargeable NiMH batteries. The charging state of the rechargeable batteries is indicated by an LED of the appropriate transmitter or receiver. For transport the charger is built into a trolley with handle. The practical charging case is also used for storing the whole Synexis system. The cover of the case is provided with a compartment for storing for example headphones and lavalier microphones.

TECHNICAL SPECIFICATIONS

AC input. 100 - 240 V, 50/60 Hz
Fuse 1 A, 250 V
Connection. AC input and AC output socket
Switching power supply input 100 - 240 V AC, 50/60 Hz
Switching power supply output. 5 V DC, 12 A
Max. charging time. approx. 5 hours
Ambient temperature
(26 °C / 55%) 56 °C [132.8 °F]
Dimensions (W x D x H). 874 x 359 x 227.5 mm
[34.4" x 14.1" x 9"]
Weight 12.14 kg [26.8 lbs]
Charging compartments 20 for beltpack transmitter/receiver,
1 for handheld transmitter

Synexis C20

ARCHITECT'S SPECIFICATIONS

Charger and storing case with 20 charging compartments for belt-pack receivers/transmitters and one handheld microphone. Compartment for accessories in the cover with a zipper and Velcro® strips for storing headphones. Telescopic dampers safely hold the cover when opened. Plastic case made of an impact-resistant housing, rugged aluminium frame, casters and handle for practical trolley function, carrying handle and lockable snap locks. Automatic rechargeable battery/standard battery recognition. With power on LED. Each charging compartment with individual display of the charging or error status via the operating control LED of the transmitter/receiver.

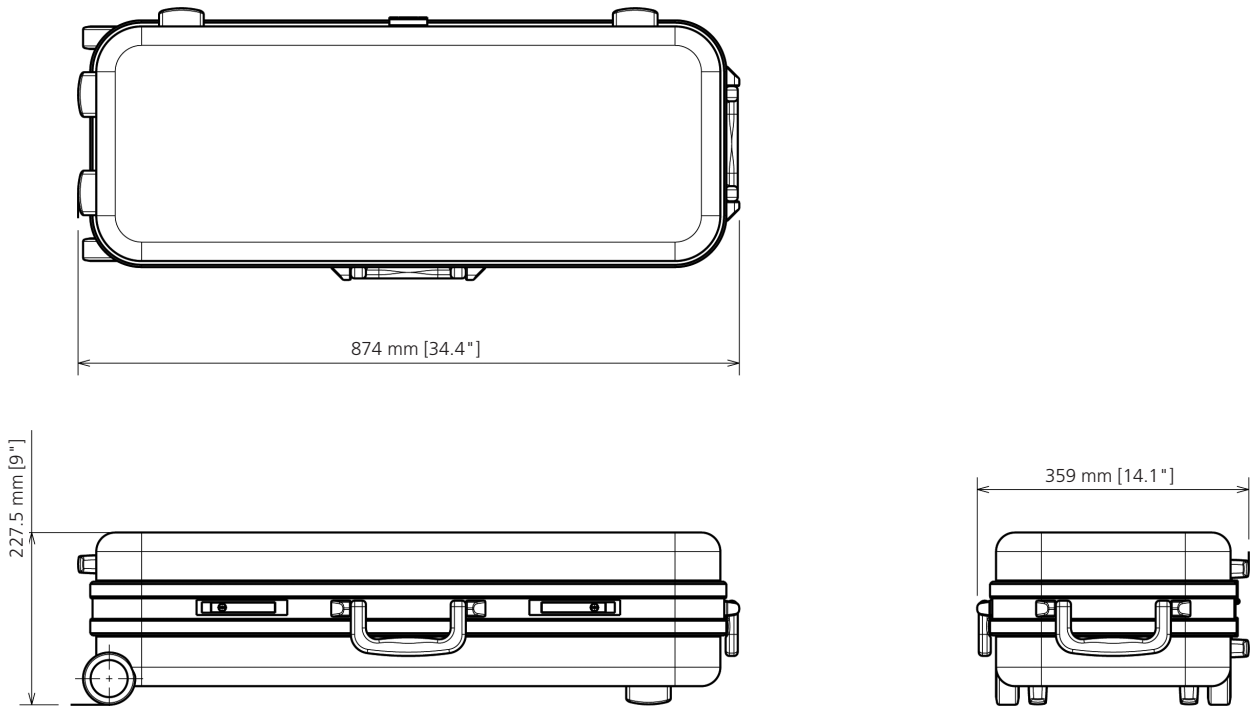
Manufacturer: beyerdynamic
Type: Synexis C20

CONSUMER ALERT

Most users do not need a license to operate this wireless microphone system. Nevertheless, operating this microphone without a license is subject to certain restrictions: the system may not cause harmful interference; it must operate at a low power level (not in excess of 50 milliwatts); and it has no protection from interference received from any other device.

Purchasers should also be aware that FCC is currently evaluating use of wireless microphone systems, and these rules are subject to change. For more information, call the FCC at 1-888-CALL-FCC (TTY: 1-888-TELL-FCC) or visit the FCC's wireless microphone website at www.fcc.gov/cgb/wirelessmicrophones.

DIMENSIONS



All dimensions in mm and [inch].

2 of 2

beyerdynamic GmbH & Co. KG
Theresienstr. 8 | 74072 Heilbronn – Germany
Tel. +49 (0) 71 31 / 617 - 0 | Fax +49 (0) 71 31 / 617 - 204
info@beyerdynamic.de | www.beyerdynamic.com

For further distributors worldwide, please go to www.beyerdynamic.com
Non-contractual illustrations. Contents subject to change without notice. E1 / Synexis C20 (09.10)

beyerdynamic 